

### Features:

- ▶ Pressure Rating: 16 Bar
- ▶ End Connection: Wafer
- ▶ Temperature Range: -25 °C to 135 °C
- ▶ FBE Coating: 200 µm
- ▶ End Flange Dimensions: BS4504
- ▶ Design: ANSI B16.34
- ▶ Standard Test: EN 12266-1

### Material:

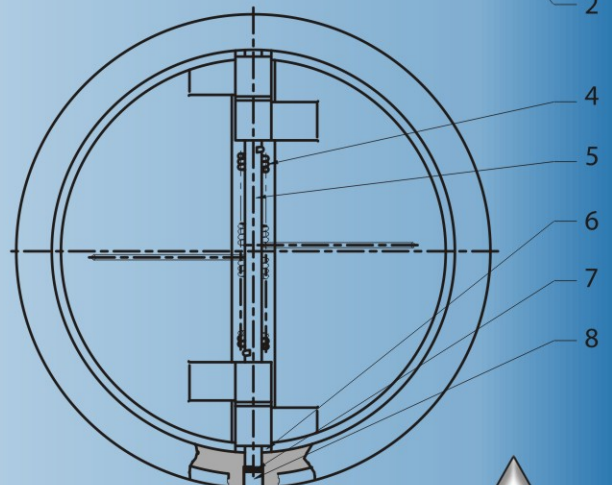
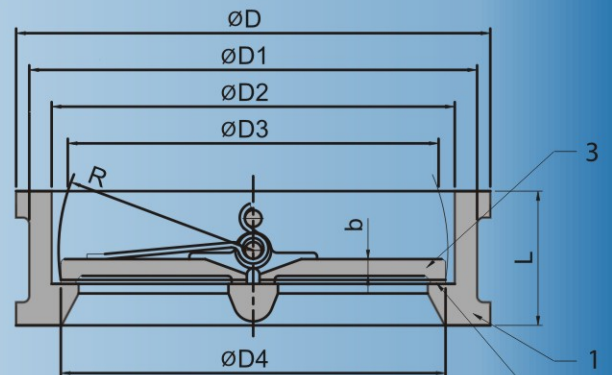
- ▶ Cast Iron / GG25 / ASTM A126
- ▶ Ductile Iron / GGG40 / ASTM A536
- ▶ Carbon Steel / ASTM A216GR - WCB
- ▶ 304 Stainless Steel / ASTM A351GR-CF8
- ▶ 316 Stainless Steel / ASTM A351GR-CF8M



Test Pressures		PN16
Test Pressure in Bar	Normal Pressure	16
	Shell Test	24
	Seat Test	17.6
Test Medium: Water		

### Dimensions

Size		ØD	ØD1	ØD2	ØD3	ØD4	b	L	R	Weight Kg
DN	NPS									
50	2"	107	91	65	43.3	55	5.0	43	28.8	1.5
65	2½"	127	80	60.2	106	70	6.0	46	36.1	2.4
80	3"	142	94	66.4	120	84	7.0	64	43.4	3.6
100	4"	162	117	90.8	143	106	9.0	64	52.8	5.7
125	5"	192	145	116.9	171	132	9.0	70	65.7	7.3
150	6"	218	170	144.6	200	154	11.0	76	78.6	9.0
200	8"	273	224	198.2	254	205	14.3	89	104.4	17
250	10"	328	265	233.7	297	252	15.0	114	127	26
300	12"	378	310	283.9	390	292	17.0	114	148.3	42
350	14"	438	360	332.9	408	340	19.0	127	172.4	55
400	16"	489	410	381.0	460	390	22.0	140	197.4	75
450	18"	539	450	419.9	508	430	26.0	152	217.8	101
500	20"	594	505	467.8	561	482	26.0	152	241	111
600	24"	695	624	572.6	680	588	26.0	178	295.4	172



### Material List

No	Part Name	Material			
1.	Body	CI	DI	WCB	CF8 CF8M
2.	Seat	EDPM	NBR	Viton	Teflon
3.	Disc	DI	CF8	CF8M	Aluminium Bronze
4.	Spring	304 SS		316 SS	
5.	Stem	416 SS		316 SS	
6.	Washer	PTFE			
7.	Stem Seal	EPDM		NBR	
8.	Bolts	Carbon Steel		304 SS	

# MBP ENGINEERS

and Procurement Services (Pty) Ltd

