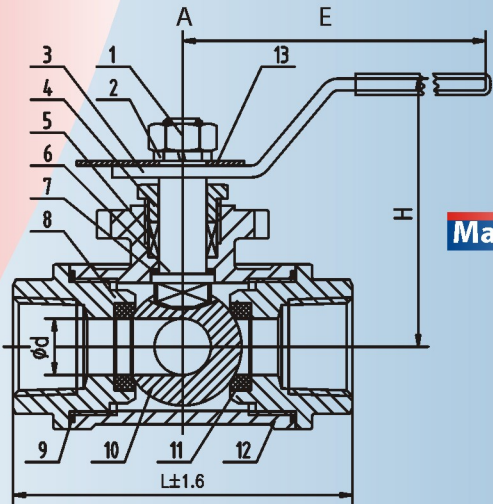
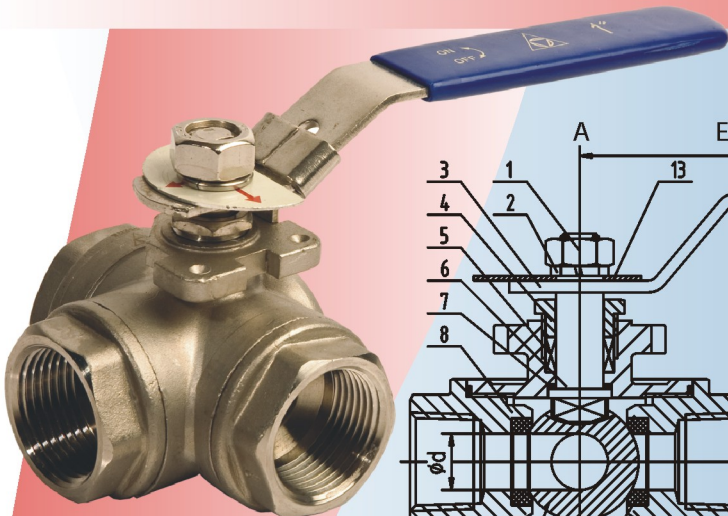


3-Way Ball Valve: 1000 PSI

Figure: 2BLS & 2BWS



Features:

- ▶ Screwed Ends: BSP / NPT
- ▶ Reduced Bore
- ▶ Pressure Rating: 1000 PSI (69 Bar) W.O.G.
- ▶ ISO 5211 Mounting Pad
- ▶ Locking Device in Open / Close Positions
- ▶ RPTFE Seats, PTFE Packing
- ▶ 100% Leak Tested with Water & Air
- ▶ Temperature Range: -50 °C to 232 °C

Material:

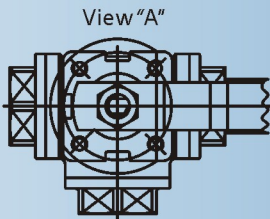
- ▶ 304 Stainless Steel / ASTM A351Gr-CF8
- ▶ 316 Stainless Steel / ASTM A351Gr-CF8M

Dimensions

Size		Ød	L	H	E	ISO 5211	Torque Nm	Weight Kg
DN	NPS							
6	¼"	10.5	70	57	115	F03/F04	5.5	0.53
10	⅜"	12	70	57	115	F03/F04	5.5	0.53
15	½"	12	70	57	115	F03/F04	7	0.53
20	¾"	15	83	66	120	F04/F05	10.5	0.74
25	1"	18	92	73	155	F04/F05	13	1.04
32	1¼"	25	125	78	155	F04/F05	22	2.18
40	1½"	32	140	92	185	F05/F07	31.5	3.27
50	2"	38	155	98	185	F05/F07	36.5	4.38

Material List

No	Part Name	Material	No	Part Name	Material
1.	Handle Nut	304 SS/316 SS	8.	Cap	CF8 / CF8M
2.	Spring Washer	304 SS/316 SS	9.	Gasket	PTFE
3.	Handle	304 SS	10.	Ball	304 SS/316 SS
4.	Bushing	304 SS/316 SS	11.	Seat	PTFE / RPTFE
5.	Stem Packing	PTFE	12.	Body	CF8 / CF8M
6.	Stem	304 SS/316 SS	13.	Flow Indicator	Aluminium
7.	Thrust Washer	PTFE			



MBP ENGINEERS
and Procurement Services (Pty) Ltd

